

SHARP

MX-M310 / MX-M260
Digital Multifunctional System



Fast, Versatile Black & White MFPs
for **Every Busy Office**

Max 31/26
PPM



**Powerful
utility
software**

Power, performance and productivity for small to medium workgroups

Introducing the new MX-M310 and MX-M260 A3 black and white multifunction systems: bringing you the power, performance and productivity you need to stay ahead of demanding deadlines.

Capable of printing and copying at speeds of up to 31 pages per minute, and supplied with an impressive array of advanced productivity features, including automatic two-sided printing and our industry-leading document management software as standard, the MX-M310 and MX-M260 are ideal choices for every modern office.

They're versatile, too. Select the model that suits your workload and add optional faxing, network scanning, network printing, the latest security features, extra paper trays and a space-saving inner finisher to build a solution that meets the precise needs of your business.

Whatever you choose, everyone will love the contemporary design that makes these new MFPs a perfect choice for any modern office.

Simple to use

You'll start benefiting from the MX-M310/MX-M260 as soon as you plug it in and switch on. The 8.1-inch touch-screen LCD Panel gives you easy-to-understand, fingertip access to every major function - no special training is required - and the paper supply can be expanded right the way up to 2,100 sheets for longer uninterrupted print runs.

Easy to manage

Powerful utility software* makes the configuration quick and easy, giving you full control of your new MFP through a standard web browser. What's more, you can check the operating status, toner level and paper supplies direct from your desk before you start a new job. Both machines have impeccable environmental credentials and comply with the latest Energy Star Version 1.1 criteria.

* Requires additional network printing option MX-PB12





Space-saving
Inner Finisher



Energy Star
V1.1 certified

MX-M310 / MX-M260 - Key Features

Efficient copying

- Speedy output of max. 31/26 cpm and quick first copy out time
- Automated job finishing options include space-saving inner finisher
- Optional 100-sheet Reversing Single Pass Feeder and standard stackless duplex module
- Productive Scan Once/Print Many, electronic sorting, and offset stacking
- Versatile image editing functions
- Job Build for large-volume documents

Optional faxing

- Super G3 (33.6 Kbps modem) and JBIG compression for fast transmission
- Quick on-line transmission drastically shortens waiting time
- PC-fax function enables fax transmission from a PC
- Duplex fax transmission and reception

Powerful printing

- RIP Once/Print Many function for 31/26 ppm
- Standard SPLC (Sharp Printer Language with Compression) printer
- Optional PCL5e/PCL6 and PostScript 3 emulation
- Upgradeable to network printing*¹ with network utilities
- Supports the latest operating systems and network protocols, including IPv6*¹
- Advanced print functions include PDF/TIFF direct printing*²

Multi-layered security

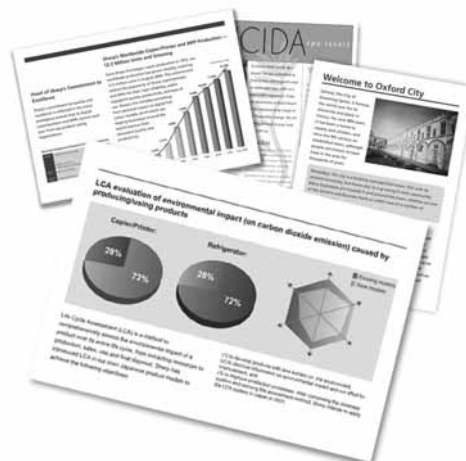
- Secure network interface restricts unauthorised access*¹
- Optional Data Security Kit encrypts and erases confidential data
- SSL (Secure Sockets Layer) and IPsec for secure network communications
- Confidential Print secures printing with PIN code authentication
- User authentication for network scanning

Optional network scanning

- Scan to e-mail/FTP server/desktop
- Sharpdesk for easy, integrated document management on a PC
- LDAP support for easy browsing of e-mail addresses
- Optional Application Integration Module*³ lets you add information or meta data to scanned documents

User- and environmentally-friendly

- 8.1-inch touch-screen LCD control panel
- Max. 2,100-sheet paper capacity with Auto Tray Switching
- Job Separator option outputs copies and printouts/faxes onto separate trays
- Certified for latest version of Energy Star Version 1.1



*¹ Requires optional MX-PB12

*² Requires optional MX-PB12 and Direct PDF printing also requires optional MX-PK10

*³ Requires optional MX-AMX1, MX-NSX1 and MX-PB12



Optional Job Separator



Up to
2,100-sheet
capacity

Fast, high quality **printing** and **copying**

The new MX-M310 and MX-M260 have the performance to take care of your entire team's printing and copying requirements.

People in a hurry will love the rapid print speeds: as fast as 26 or 31 A4 pages per minute (ppm), depending on the model, and up to 15 or 17 ppm with A3. Copying, naturally, is just as quick. But 'pages per minute' is just one of many performance features.

Sharp Printer Language with Compression (SPLC) keeps the jobs flowing as fast as possible, automatic two-sided printing and copying comes as standard, and an advanced RIP Once/Print Many function ensures efficient multiple-print production with only a single download of data from your PC. Add the network printing option and you'll find that everyone becomes more productive.

Efficient copying

The first copy comes out in 4.8 seconds or less, making copying fast and efficient, and the E-Sort and offset stacking features make it easy to create multiple sets of sorted documents (and keep them separate from each other) without the need for a bulky page collator.

You can even specify a space saving inner finisher for automatic sorting, stapling and offset stacking capabilities.

High-end features and options

The MX-M310 and MX-M260 can take on the toughest jobs. An optional 100-sheet Reversing Single Pass feeder offers effortless two-sided copying, there's a Job Build function for scanning documents in convenient batches before combining them into a single job, and a whole range of powerful image editing functions for even more control and versatility.

At a glance

- **Fast, efficient two sided printing and copying** on paper up to A3 in size
- **Quick first copy out time:** 4.5 seconds (MX-M310) and 4.8 seconds (MX-M260)
- **High quality output:** equivalent to 1200 x 600 dpi resolution with smoothing
- **Advanced new toner** for superior image quality
- **Sharp Printer Language with Compression (SPLC)** as standard for faster throughput
- **Optional network printing**^{*1} supports most systems including Windows Vista® and IPv6
- **Optional space saving inner finisher** for sorting and stapling, and offset stacking
- **Optional Job Separator** prevents documents from getting mixed up
- **Advanced print functions including PDF/TIFF direct printing**^{*2}
- **Optional PCL5e/PCL6 and PostScript 3 emulation**
- **1,100-sheet paper capacity** expandable to 2,100-sheets with Auto Tray Switching
- **Special applications**
 - **Carbon copy print**^{*1} - print multiple copies of the same data on plain and/or coloured paper fed from different paper trays
 - **Form overlay**^{*1} - store document formatting such as letterheads, eliminating the need for pre-printed paper
 - **Barcode font**^{*1 *3} print capability - allows convenient in-house production of barcoded documents

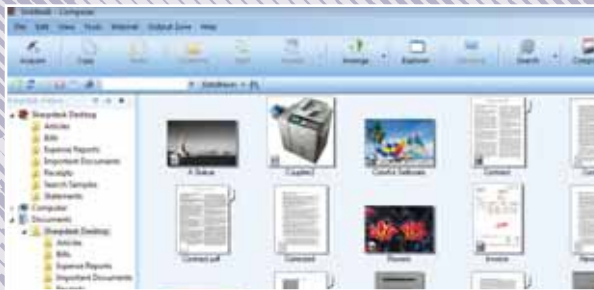
^{*1} Requires optional MX-PB12

^{*2} Requires optional MX-PB12 and Direct PDF printing also requires MX-PK10

^{*3} Requires optional AR-PF1



Two-sided Scanning



New-look Sharpdesk

Advanced **scanning** and **faxing** options

You can extend the functionality of the MX-M310 and MX-M260 still further with the addition of advanced network scanning and faxing options.

Paper documents can be scanned directly to your PC desktop, an FTP server or any valid email address. And scanning to email is particularly convenient thanks to LDAP support which lets you browse for and select recipients from your corporate email address book. Add the optional Application Integration Module*1 to add information to scanned documents before you send or store them.

The fax option lets you send and receive two-sided faxes, with a Super G3 fax capability and JBIG compression for fast, on-line transmission, and adds PC-faxing for sending documents directly from Microsoft® Word and other applications.

Easy document management with Sharpdesk

The MX-M310 and MX-M260 are supplied with the latest, new-look version of Sharpdesk, our powerful yet easy to use document management software. Now supplied with a central management utility for remote, single-point installation on multiple network clients via Active Directory, Sharpdesk lets users manage and manipulate documents in over 200 file formats in a single application on the PC desktop, integrating digital and paper documents.

- Contemporary desktop display with **thumbnail viewing**
- Convenient **remote 'push' installation** via Active Directory
- Sharpdesk Imaging provides **annotation tools** for paper-free proofreading
- **Composer** combines different types of files into a single document
- **Optical character recognition** converts documents into editable text files
- **Output zone** distributes files to e-mail, printers, and other applications
- **File search** by file name, keyword, or thumbnail

At a glance

Scanning

- **Handle large, two-sided scanning jobs easily** with the 100-sheet feeder
- **Scan documents up to A3** direct to your PC desktop, e-mail, or FTP server
- **Lightweight Directory Access Protocol (LDAP)** support allows easy browsing of e-mail addresses
- **Easy text entry** from the LCD control panel, plus preset, frequently used titles and messages

Faxing

- **High-speed faxing** with Super G3/JBIG compression and fast online transmission
- **PC-Fax***2 – send data directly from a PC to a fax machine without printing to paper
- **Duplex faxing** – send or receive single or double-sided*3 faxes up to A3 in size
- **Job Separator***4 prevents incoming faxes from getting mixed with copy/print jobs
- **500 one-touch auto dial keys**, plus Flash memory to prevent data loss

*1 Requires optional MX-AMX1

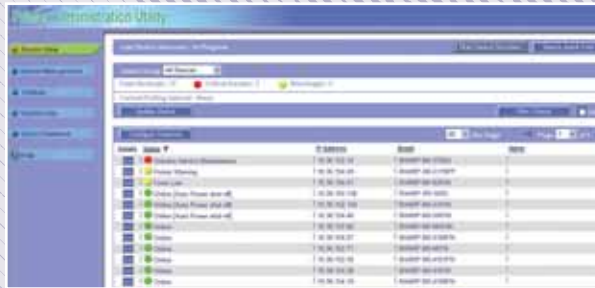
*2 For Windows environments only

*3 Requires MX-RP10 to send double-sided faxes

*4 Requires optional MX-TR11



**Data
Security**



**Printer
Administration
Utility**

Robust **security** and **easy device management**

The MX-M310 and MX-M260 gives you tough, all-round security that provides dependable protection for the MFP, your documents and the network.

The optional Data Security Kit, for example, automatically encrypts and erases residual data from the MFP's internal memory once a job has been completed, preventing the illegal recovery of confidential information. You can also specify a secure network interface that uses IP/MAC address filtering to create a firewall that prevents unknown users from connecting to the MFP.

You can eliminate the risk of sensitive documents being left in the open by requiring the user to enter a PIN code at the MFP before the documents are produced, and access to all of the machine's functions can be controlled with passwords and user authentication.

Powerful Network Utility Software

Sharp Printer Status Monitor^{*2} lets users remotely check the MFP's operating status, toner levels, paper supplies and features before they start a job, eliminating unexpected delays and wasted time.

In addition, the optional **Printer Administration Utility (PAU)**^{*2} makes configuration both quick and easy while giving you full control through your web browser. Installing additional MFPs is even quicker, because you can use the 'device cloning' feature to simply copy the system settings from one MFP to the other.

Web-based system settings let you configure functions such as address book control and operator access from across the network, and you can even control costs by setting limits on who can use the MFP, how much and for what purpose.

At a glance

- **Optional Data Security Kit**^{*1} erases any data in internal memory after use
- **Secure network interface**^{*2} prevents direct access by unauthorised users
- **Secure Sockets Layer (SSL)** encrypts data communications to prevent network data 'leakage'
- **IPv6 and IPsec compatibility** ensures an even higher level of network security
- **Confidential Print function** protects information by requiring a PIN code before printing
- **User authentication** and logon facility to restrict access to authorised users only
- **Auditing function** lets you keep track of and control usage by employee or department

^{*1} Requires optional MX-FR17U (MX-M260) or MX-FR18U (MX-M310)

^{*2} Requires optional MX-PB12

Remote diagnosis

The MX-M310 and MX-M260 can be monitored remotely through a web browser and conditions such as 'Low Toner' will appear on the MFP's web page. In addition, features such as E-Mail Status and Alert will automatically create and send email alerts when corrective action or maintenance is required.

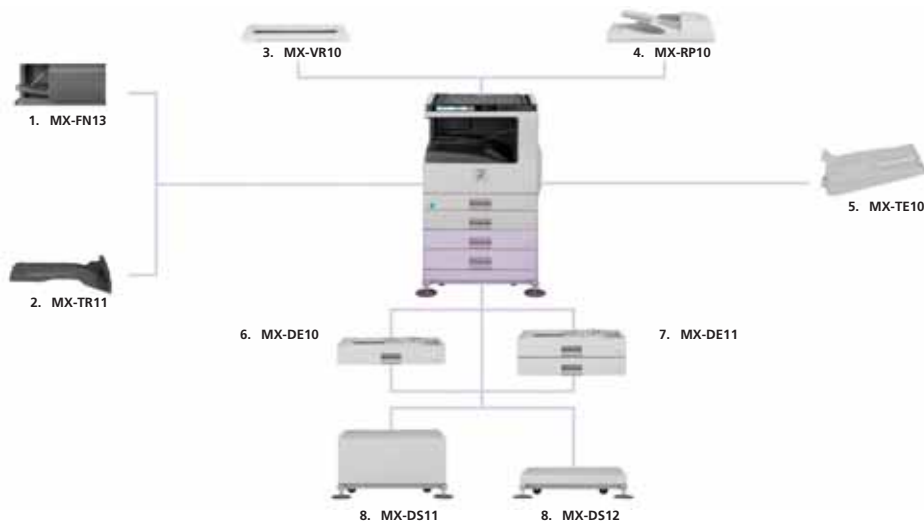
^{*2} Requires optional MX-PB12



Finishing Options

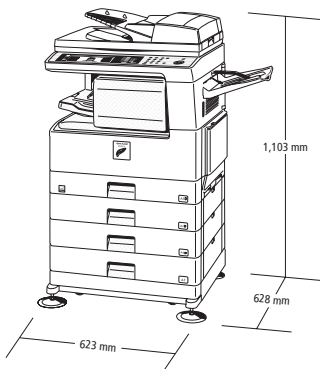
Connectivity Options

MX-M310 / MX-M260 - Options



Finishing

1. **MX-FN13 Inner Finisher**
A3 to A5
Paper capacity: 500 sheets (A4, 80 g/m²),
250 sheets (A3, 80 g/m²)
Stapling capacity: 50 Sheets (A4), 30 sheets (A3)
Staple position: 1 location
2. **MX-TR11 Job Separator Tray**
Separates output according to the type of job
(print/copy/fax)
A3 to A5
Paper capacity:
Upper tray: 100 sheets
Lower tray (MFP): 500 sheets



Shown with options.

Base Unit

3. **MX-VR10 Document Cover**
4. **MX-RP10 Reversing Single Pass Feeder**
A3 to A5, 100 sheets (90 g/m²), 35 to 128 g/m²
(simplex), 52 to 105 g/m² (duplex)
5. **MX-TE10 Exit Tray**
A3 to B5R, 100 sheets, 56 to 105 g/m²
Optional MX-FN13 required
6. **MX-DE10 500-Sheet Paper Drawer**
A3 to B5R, 500 sheets (80 g/m²), 56 to 105 g/m²
7. **MX-DE11 2 x 500-Sheet Paper Drawer**
A3 to B5R, 1,000 sheets (80 g/m²), 56 to 105 g/m²
8. **Cabinet**
There are two cabinets available, depending upon
the paper drawer configuration used.
MX-DS11 High cabinet
MX-DS12 Low cabinet

Connectivity Board

AR-SM5 256MB Memory
AR-SM6 512MB Memory

Printing

MX-PB12 Printer Expansion Kit
MX-PK10 PS3 Expansion Kit
Enables PostScript printing
AR-PF1 Barcode Font Kit
AR-PF2 Flash ROM Kit

Faxing

AR-FX7 Fax Expansion Kit
Super G3 fax module
AR-MM9 8MB Fax Memory

Scanning

MX-NSX1 Network Scanner Expansion Kit
(requires optional MX-PB12)
MX-AMX1 Application Integration Module
(requires optional MX-NSX1 & MX-PB12)

Sharpdesk Licenses

MX-USX1 x 1 user
MX-USX5 x 5 users
MX-US10 x 10 users
MX-US50 x 50 users
MX-USA0 x 100 users

Security

MX-FR17U Data Security Kit for MX-M260
MX-FR18U Data Security Kit for MX-M310



Specifications

MX-M310 / MX-M260

Digital Multifunctional System



General		
Engine speed (max.)	A4 portrait	A3
MX-M310	31 cpm/ppm	17 cpm/ppm
MX-M260	26 cpm/ppm	15 cpm/ppm
Paper size	Max. A3, min. A5	
Paper weight	Drawer: 56g/m ² – 105g/m ² Bypass: 56g/m ² – 200 g/m ²	
Paper capacity	Standard: 1,100 sheets (2 x 500-sheet trays and 100-sheet multi-bypass tray) Maximum: 2,100 sheets (4 x 500-sheet trays and 100-sheet multi-bypass tray)	
Warm-up time¹		
MX-M310	Less than 25 sec.	
MX-M260	Less than 23 sec.	
Memory	Standard: 32MB Maximum: 1,056MB	
Power requirements	Rated local AC voltage ±10%, 50/60 Hz	
Power consumption (max.)	1.45 kW (220 to 240V)	
Dimensions (W x D x H)	623 x 628 x 653 mm	
Weight (approx.)	44 kg	

Copier	
Original paper size	Max. A3
First copy time²	
MX-M310	4.5 sec.
MX-M260	4.8 sec.
Continuous copy	Max. 999 copies
Resolution	Scan: 400 x 600 dpi Print: 600 x 600 dpi
Gradation	Scan: 256 levels Print: 2 levels
Zoom range	25 to 400% (50 to 200% using RSPF) in 1% increments
Preset copy ratios	10 ratios (SR/SE)

Printer (standard SPLC driver)	
Resolution	600 x 600 dpi
Enhanced resolution	600 x 1,200 dpi equivalent with smoothing
Memory	Shared
Interface	USB 2.0
Supported OS	Windows® 2000/XP, Windows Vista®
PDL Emulation	SPLC (Sharp Printer Language with Compression)

Network Printer (optional MX-PB12 required)	
Memory	Standard: 64MB Maximum: 320MB
Interface	10Base-T/100Base-TX
Supported OS³	Standard: Windows® 2000/XP, Windows Server® 2003/2008, Windows Vista®, Windows 7 ⁴ Optional: Mac OS 9.0 - 9.2.2, Mac OS X 10.2.8, 10.3.9, 10.4.11, 10.5 – 10.5.6
Network protocols³	TCP/IP (IPv4, IPv6), IPX/SPX (NetWare), NetBEUI, EtherTalk (AppleTalk)
Printing protocols	LPR, Raw TCP (port 9100), POP3 (e-mail printing), HTTP, Novell Printserver application with NDS and Bindery, FTP for downloading print files, EtherTalk printing, IPP
PDL emulation	Standard: PCL6/5e, Option: PS3 emulation ⁵
Available fonts	80 fonts for PCL, 136 fonts for PS3 emulation ⁵
Bundled Utility Software	Sharp Printer Administration Utility, Sharp Printer Status Monitor

Network Scanner (optional MX-NSX1, MX-PB12, and memory ⁵ required)	
Scan method	Push scan (via operation panel) Pull scan (with TWAIN-compliant application)
Resolution	200, 300, 400, 600 dpi
File formats	TIFF, PDF
Scanner utilities	Sharpdesk
Scan destinations	Scan to e-mail, desktop, FTP server

Facsimile (optional AR-FX7 required)	
Compression method	MH/MR/MMR/JBIG
Communication protocol	Super G3/G3
Transmission time	Less than 3 seconds ⁶
Modem speed	33,600 bps to 2,400 bps with automatic fallback
Transmission resolution	Standard: 203.2 x 97.8 dpi Super Fine: 406.4 x 391 dpi
Recording width	A3 to A5
Memory	Standard 2MB flash memory, max. 10MB with option
Grey scale levels	Equivalent to 256 levels



SAP® Printer Vendor Solution



¹ May vary depending on operating environment. ² May vary depending on machine conditions. ³ Optional MX-PK10 required for Mac OS, EtherTalk and PS3. ⁴ Available at a later date. ⁵ 128MB or more additional memory. ⁶ Based on Sharp's standard chart with approx. 700 characters (A4 portrait) at standard resolution in Super G3 mode, 33,600 bps, JBIG compression.



Design and specifications are subject to change without prior notice. All information was correct at time of print. The ENERGY STAR logo is a certification mark and may only be used to certify specific products that have been determined to meet the ENERGY STAR programme requirements. ENERGY STAR is a US registered mark. Windows, Windows XP, Windows Server and Windows Vista are registered trademarks of Microsoft Corporation. SAP and all SAP logos are trademarks or registered trademarks of SAP AG in Germany and in several other countries. Citrix is a trademark of Citrix Systems, Inc. and/or one or more of its subsidiaries, and may be registered in the United States Patent and Trademark Office and in other countries. All other company names, product names, and logotypes are trademarks or registered trademarks of their respective owners. ©Sharp Corporation 2009 Ref: BR_MX-M310/260. All trademarks acknowledged. E&OE.